

Fountain with C-profile supporting structure of 4 mm thick steel sheet and 3 mm thick steel sheet infill panels mechanically fixed to the structure. The infill panels can be supplied in corten steel, satin-finish stainless steel or powder coated steel. The nickel-plated brass tap is of the push-button type with return spring and spout type for accessibility to wheelchair users. The frame is fixed to the base of the tub in 1.5 mm thick steel sheet, equipped with a drain and overflow pipe. On the back of it, a slot suitable for connecting the supply pipe is present. The slit, made of galvanised steel grating, is removable to allow the tank to be cleaned. On the back there is a tray made of 2 mm thick folded stainless steel sheet to channel the water into the drainpipe. It is possible to customise the sides of the structure by laser cutting.

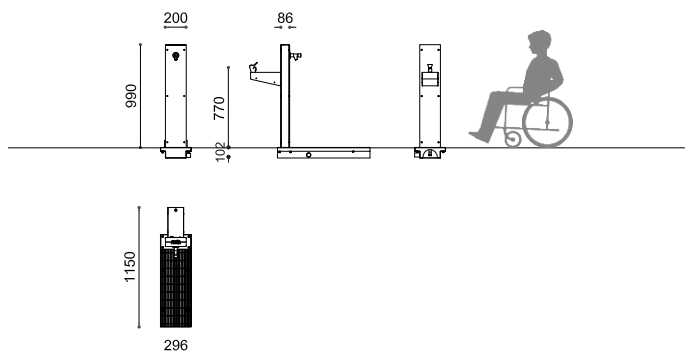
it is possible to customise the sides of the structure by laser cutting.

All metal parts are galvanised and coated with thermosetting polyester powder (except for corten steel and stainless steel versions).

All fixings are in AISI304 stainless steel.

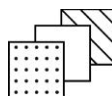
Prepared for ingrounding.

## technical data



296x1150 mm  
H 990 mm h 770 mm (+ 102 mm)  
P 200 mm p 86 mm

40 kg



Galvanised and powder coated steel  
Galvanised and powder coated steel + Stainless steel  
Galvanised and powder coated steel + Corten steel



Prepared for ingrounding



Laser-cut customisation of side panels

